

DUCT RODDER INTRODUCTION

DCD offers one of the most comprehensive range of Duct Rodders available anywhere in the world - from the smallest 1/8" diameter Fish Tapes to the rugged 1/2" Duct Rodders.

THE ROD

DCD rods are manufactured from state-of-the-art materials formulated to offer the high performance & durability demanded by our customers.

The core of the rod is manufactured by the pultrusion process. This involves impregnating high strength continuous glass fiber filaments with a liquefied resin. The fibers are drawn in to a heated die where the resin matrix is cured, bonding the fibers together and allowing mechanical loads to be transmitted through the matrix and distributed amongst the fibers.

The resulting pultruded rod combines both the high stiffness required to push the rod through long distances of ducting, with the flexibility to handle tight bends without damage. This inner core is then coated with a highly durable, scratch resistant polypropylene sheath which protects the core from mechanical damage.



THE FRAMES

Frames are also a feature of the DCD systems. The four largest sizes incorporate the new EZ-Tip™ feature; a larger footprint for stability; steel brake handles that will last forever; dual rod out-feeding positions and wheels inside the frame width. The two smallest sizes feature frames with the feedout built into the handle. All frames can be laid down on either side. These are just some of the design features that will make every unit more usable and friendly for the end user.

ROD SELECTION

Which is the right rod diameter for any given application? The rod selection is usually governed by several factors including:

- The size of ducting it is to be pushed through
- The distance the rod is to be pushed
- The number and tightness of bends in the ducting
- If the ducting is already occupied by cable

When being pushed through the duct, any rod will tend to form "sine waves", hitting the wall of the duct at certain intervals. Each time the rod comes in contact with the wall of the duct, it causes friction. The friction will build and eventually prevent the rod from being pushed any further. Small rod in large duct will make more frequent contact with the ducting; the same rod in smaller duct will make less frequent contact and therefore less friction so it can be pushed further. Large rod in small ducting is a good situation, but reduced flexibility of the rod may cause increased friction in the tighter bends.

The chart below is a rough guide as to rod diameter selection, but the above factors should all be taken into consideration before making the final selection.

Rod Dia.	Threaded Connection	Tensile Strength of Rod	Typical Strength of Glued Connection	Typical Strength of Screwed Connection	Minimum Bend Radius	Typical Max. Duct Dia.	Max. Length of Push or Pull
1/8"	#12 UNC	1,125 LB	140 LB	-	2"	1-1/4"	150 FT
3/16"	#12 UNC	2,200 LB	350 LB	-	4"	2"	300 FT
1/4"	5/16" UNC	4,070 LB	800 LB	1,050 LB	7"	2-1/2"	400 FT
5/16"	5/16" UNC	7,700 LB	850 LB	1,100 LB	10"	3"	600 FT
3/8"	3/8" UNC	8,580 LB	1,150 LB	1,150 LB	12"	4"	800 FT
7/16"	3/8" UNC	11,000 LB	1,750 LB	1,200 LB	16"	8"	1,200 FT
1/2"	3/8" UNC	13,000 LB	1,900 LB	1,250 LB	18"	10"	1,000 FT

NOTE! ALL DUCT RODDERS ARE CUSTOM BUILT TO ORDER AND ARE NON-RETURNABLE EXCEPT FOR WARRANTY.

ALL REPLACEMENT RODS WILL BE SHIPPED IN A NEW CAGE FOR EASY REPLACEMENT ONTO THE FRAME. EXTREME CARE MUST BE TAKEN WHEN HANDLING LOOSE FIBERGLASS ROD AS IT STORES CONSIDERABLE ENERGY AND MAY CAUSE SEVERE INJURY.



DCD

Toll Free: 1-888-SWIVELS (794-8357) Web Site: www.dcdesign.com

Tel: 604-232-4445

Fax: 604-232-4446

E-mail: sales@dcdesign.com



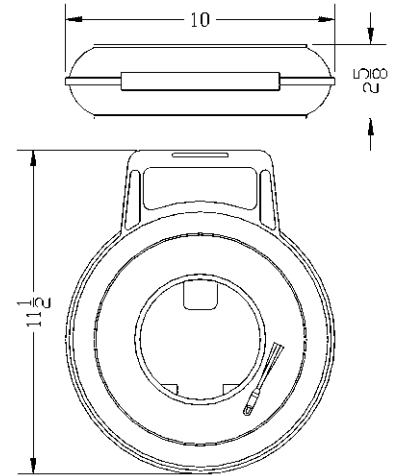
FISH ROD

51000 SERIES – 1/8" DIAMETER.

The 1/8" diameter fiberglass rod used in the compact Fish Rod is non-conductive and is designed to push through and pull back through conduits with or without existing cables.

The Fish Rod unit is available in three different rod lengths. The housing has an internal rotating drum to ease feeding the rod in and out and no crank handle is needed. The robust, solid housing has a fixed accessories compartment with a lift-up lid and carrying handle.

The standard Fish Rods include a male rod end and a pulling eye. The deluxe version includes accessories as listed below.



Deluxe 1/8" Rod	Rod Length	Weight	Deluxe Rod Accessories
51000-050	50 FT	1.71 LB	1 FLEX. GUIDE HEAD
51000-100	100 FT	1.99 LB	2 SPLICE CONNECTORS 1 MALE ROD END
51000-150	150 FT	2.42 LB	1 GLUE 3GM 1 ROD GRIPPER

For Standard Rodder units that do not include accessories shown above, add "X" to the part number.

REEL ROD

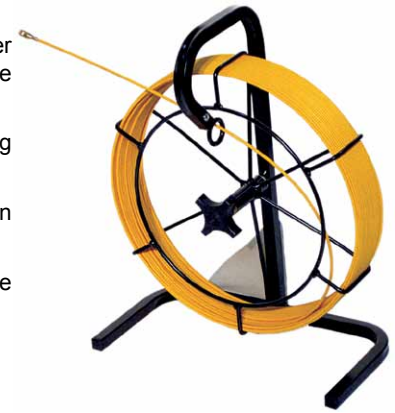
52000 SERIES – 3/16" DIAMETER

The Reel Rod has a sturdy, powder coated, steel tube frame and features a 16" diameter storage basket. Up to 400 ft. of rod can be stored in this basket. A light adjustable brake prevents the rod from reeling out of the basket under its own tension.

The Reel Rod and the Fish Rod (series 51000) share common screw threads, allowing the use of the same accessories.

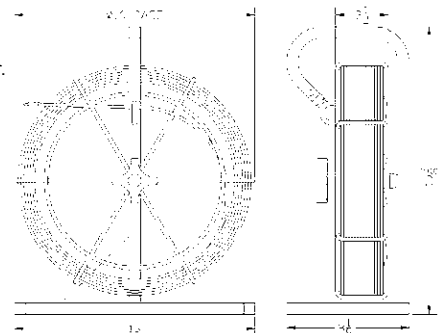
The standard Reel Rods include a male rod end and a pulling eye. The deluxe version includes accessories as listed below.

Although the fiberglass rods have very high reliability, improper handling can cause the rod to break. In these instances, repair is simple and can be carried out by any user.



Deluxe 3/16" Rod	Deluxe Detectable	Rod Length	Weight	Replacement Regular Rod	Deluxe Rod Accessories
52000-150	52200-150	150 FT	8 LB	52100-150	2 SPLICE CONNECTORS 1 FLEXIBLE GUIDE HEAD 1 ROLLER GUIDE 1 MALE ROD END 1 GLUE 3GM 1 ROD GRIPPER 1 ACCESSORY POUCH
52000-200	52200-200	200 FT	9 LB	52100-200	
52000-250	52200-250	250 FT	10 LB	52100-250	
52000-300	52200-300	300 FT	10 LB	52100-300	
52000-350	52200-350	350 FT	12 LB	52100-350	
52000-400	52200-400	400 FT	13 LB	52100-400	

For Standard Rodder units that do not include accessories shown above, add "X" to the part number.



EXTREME DANGER: NEVER USE A DETECTABLE RODDER IN A LIVE ELECTRICAL ENVIRONMENT. ELECTRICAL SHOCK OR DEATH MAY RESULT IF CONDUCTIVE ROD TOUCHES EXPOSED CIRCUIT.