

DUCT RODDER INTRODUCTION

DCD offers one of the most comprehensive range of Duct Rodders available anywhere in the world - from the smallest 1/8" diameter Fish Tapes to the rugged 1/2" Duct Rodders.

THE ROD

DCD rods are manufactured from state-of-the-art materials formulated to offer the high performance & durability demanded by our customers.

The core of the rod is manufactured by the pultrusion process. This involves impregnating high strength continuous glass fiber filaments with a liquefied resin. The fibers are drawn in to a heated die where the resin matrix is cured, bonding the fibers together and allowing mechanical loads to be transmitted through the matrix and distributed amongst the fibers.

The resulting pultruded rod combines both the high stiffness required to push the rod through long distances of ducting, with the flexibility to handle tight bends without damage. This inner core is then coated with a highly durable, scratch resistant polypropylene sheath which protects the core from mechanical damage.



THE FRAMES

Frames are also a feature of the DCD systems. The four largest sizes incorporate the new EZ-Tip™ feature; a larger footprint for stability; steel brake handles that will last forever; dual rod out-feeding positions and wheels inside the frame width. The two smallest sizes feature frames with the feedout built into the handle. All frames can be laid down on either side. These are just some of the design features that will make every unit more usable and friendly for the end user.

ROD SELECTION

Which is the right rod diameter for any given application? The rod selection is usually governed by several factors including:

- The size of ducting it is to be pushed through
- The distance the rod is to be pushed
- The number and tightness of bends in the ducting
- If the ducting is already occupied by cable

When being pushed through the duct, any rod will tend to form "sine waves", hitting the wall of the duct at certain intervals. Each time the rod comes in contact with the wall of the duct, it causes friction. The friction will build and eventually prevent the rod from being pushed any further. Small rod in large duct will make more frequent contact with the ducting; the same rod in smaller duct will make less frequent contact and therefore less friction so it can be pushed further. Large rod in small ducting is a good situation, but reduced flexibility of the rod may cause increased friction in the tighter bends.

The chart below is a rough guide as to rod diameter selection, but the above factors should all be taken into consideration before making the final selection.

Rod Dia.	Threaded Connection	Tensile Strength of Rod	Typical Strength of Glued Connection	Typical Strength of Screwed Connection	Minimum Bend Radius	Typical Max. Duct Dia.	Max. Length of Push or Pull
1/8"	#12 UNC	1,125 LB	140 LB	-	2"	1-1/4"	150 FT
3/16"	#12 UNC	2,200 LB	350 LB	-	4"	2"	300 FT
1/4"	5/16" UNC	4,070 LB	800 LB	1,050 LB	7"	2-1/2"	400 FT
5/16"	5/16" UNC	7,700 LB	850 LB	1,100 LB	10"	3"	600 FT
3/8"	3/8" UNC	8,580 LB	1,150 LB	1,150 LB	12"	4"	800 FT
7/16"	3/8" UNC	11,000 LB	1,750 LB	1,200 LB	16"	8"	1,200 FT
1/2"	3/8" UNC	13,000 LB	1,900 LB	1,250 LB	18"	10"	1,000 FT

NOTE! ALL DUCT RODDERS ARE CUSTOM BUILT TO ORDER AND ARE NON-RETURNABLE EXCEPT FOR WARRANTY.

ALL REPLACEMENT RODS WILL BE SHIPPED IN A NEW CAGE FOR EASY REPLACEMENT ONTO THE FRAME. EXTREME CARE MUST BE TAKEN WHEN HANDLING LOOSE FIBERGLASS ROD AS IT STORES CONSIDERABLE ENERGY AND MAY CAUSE SEVERE INJURY.



DCD

Toll Free: 1-888-SWIVELS (794-8357) Web Site: www.dcdesign.com

Tel: 604-232-4445

Fax: 604-232-4446

E-mail: sales@dcdesign.com



RUF ROD

54000 SERIES – 3/8" DIAMETER

The 3/8" Ruf Rod features a 34" diameter storage basket which comfortably stores up to 800 ft. of fiberglass rod.

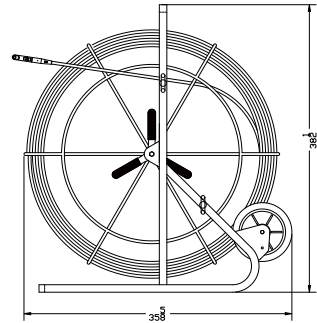
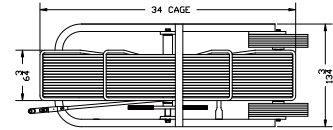
The Standard Ruf Rods include a female rod end, a swivel rod end and a pulling eye. The deluxe version includes accessories as listed below.

All accessories that attach to the rod can be glued on in the traditional manner or can be clamped on with set screws or they can be glued and clamped for extra security.

Deluxe 3/8" Rod	Rod Length	Weight	Replacement Rod	Deluxe Rod Accessories
54000-200	200 FT	49 LB	54100-200	
54000-300	300 FT	55 LB	54100-300	
54000-400	400 FT	61 LB	54100-400	1 SPLICE CONNECTOR
54000-500	500 FT	67 LB	54100-500	1 FLEXIBLE GUIDE HEAD
54000-600	600 FT	73 LB	54100-600	1 ROLLER GUIDE
54000-700	700 FT	79 LB	54100-700	1 CLEVIS END
54000-800	800 FT	85 LB	54100-800	1 GLUE 3GM
54000-900*	900 FT	91 LB	54100-900	1 ROD GRIPPER
54000-1000*	1000 FT	97 LB	54100-1000	1 ACCESSORY POUCH

* These two sizes are spooled on a 7/16" (56000) frame see 56000 Specs for frame dimensions.

For Standard Rodder units that do not include accessories shown above, add "X" to the part number.



RUF ROD

56000 SERIES – 7/16" DIAMETER

The 7/16" Ruf Rod features our largest frame with a 40" diameter storage basket which can hold up to 1500 ft of 7/16" fiberglass rod.

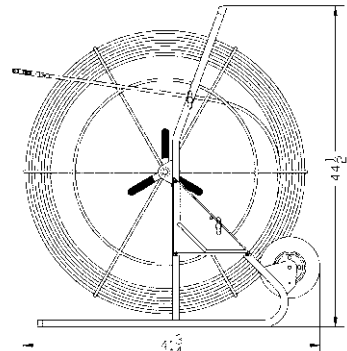
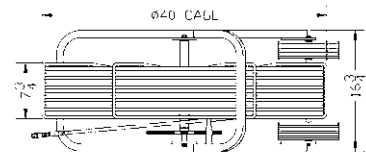
The Standard Ruf Rods include a female rod end, a swivel rod end and a pulling eye. The deluxe version includes accessories as listed below.

All accessories that attach to the rod can be glued on in the traditional manner or can be clamped on with set screws or they can be glued and clamped for extra security.

Deluxe 7/16" Rod	Deluxe Detectable	Rod Length	Weight	Replacement Regular Rod	Deluxe Rod Accessories
56000-400	56200-400	400 FT	84 LB	56100-400	
56000-500	56200-500	500 FT	94 LB	56100-500	
56000-600	56200-600	600 FT	104 LB	56100-600	
56000-700	56200-700	700 FT	114 LB	56100-700	1 SPLICE CONNECTOR
56000-800	56200-800	800 FT	124 LB	56100-800	1 FLEXIBLE GUIDE HEAD
56000-900	56200-900	900 FT	134 LB	56100-900	1 ROLLER GUIDE
56000-1000	56200-1000	1000 FT	144 LB	56100-1000	1 CLEVIS END
56000-1100	-	1100 FT	154 LB	56100-1100	1 GLUE 3GM
56000-1200	-	1200 FT	164 LB	56100-1200	1 ROD GRIPPER
56000-1300	-	1300 FT	174 LB	56100-1300	1 ACCESSORY POUCH
56000-1400*	-	1400 FT	184 LB	56100-1400	
56000-1500*	-	1500 FT	194 LB	56100-1500	

* Note that these lengths require the full capacity of the frame and are difficult to re-wind into the cage without due care and attention as to the layering of the rod.

For Standard Rodder units that do not include accessories shown above, add "X" to the part number.



EXTREME DANGER: NEVER USE A DETECTABLE RODDER IN A LIVE ELECTRICAL ENVIRONMENT. ELECTRICAL SHOCK OR DEATH MAY RESULT IF CONDUCTIVE ROD TOUCHES EXPOSED CIRCUIT.