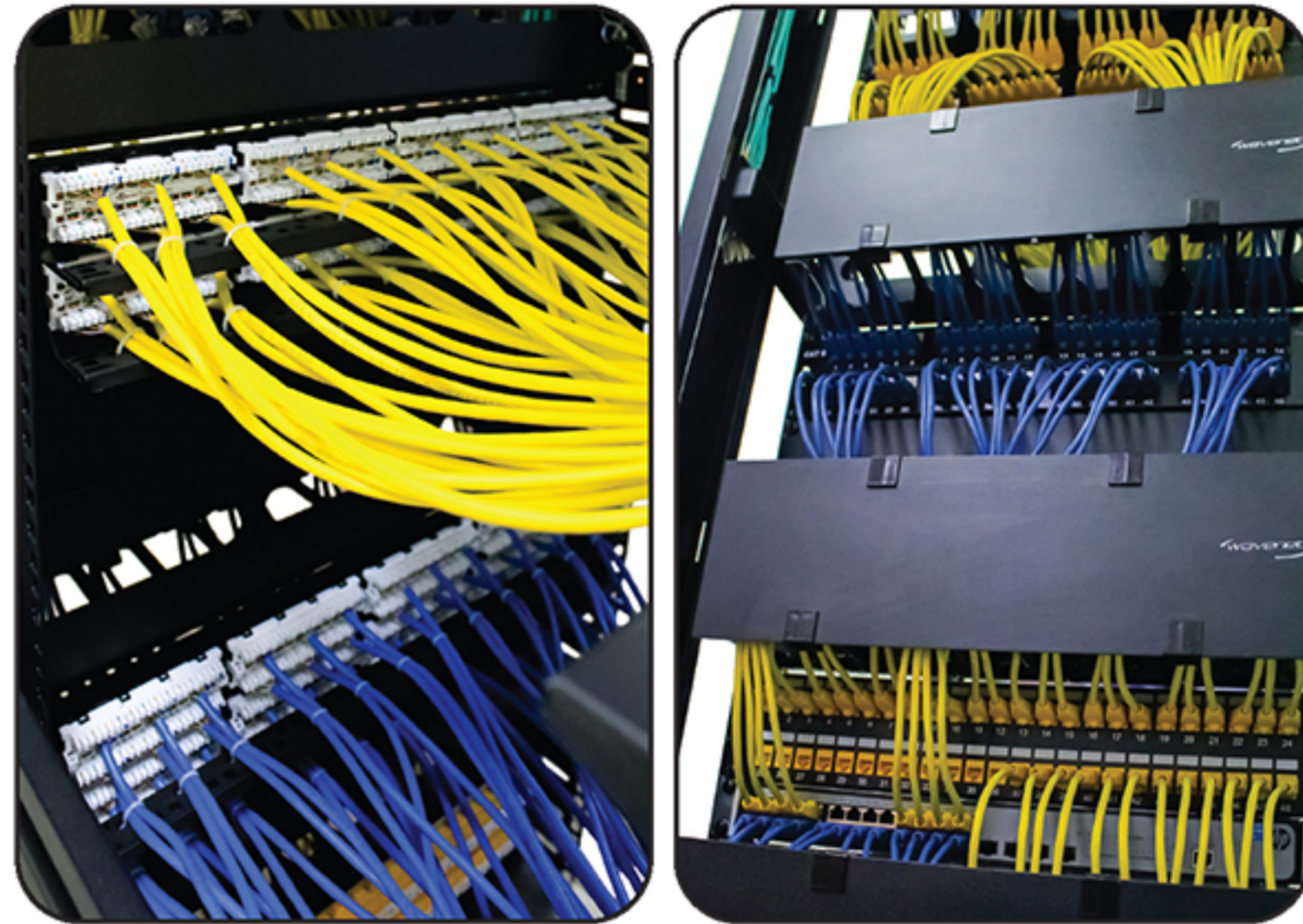




27U/42U STANDING SERVER CABINETS



OVERVIEW

Wavenet 6U, 9U, 12U, 15U, 18U, 27U and 42U wall mount and floor standing cabinets are designed for data, voice, A/V servers, storage and networking equipment in enterprise data centers, telecommunication rooms and other network facilities such main distribution frame (MDF) and intermediate distribution frame (IDF) applications.

Our design is packed with some of the most popular cabinets features for most economical price point. They are built with 24" depth (Wall Mount), 32" and 40" depth (Floor Standing), these Server Cabinets are suitable for network servers, battery backups, switching banks, and other larger network equipment.

These cabinets features laser cut knockouts allowing to install conduits while removable protective rubber grommets provide numerous cable routing options.



27U/42U STANDING SERVER CABINETS



42U



27U



RIGHT SIDE VIEW



INSIDE VIEW



REAR VIEW

RELATED PRODUCTS



· 12-OUTLETS POWER DISTRIBUTION UNIT [P/N. PDU1012M-24]

· 8U 18" DEPTH WALL MOUNT RACKS [P/N. WMR-8U-SW]



· 15" RACK SHELF VENDED [P/N. SHELF-15SSV-N]

· 15" RACK SHELF SOLID [P/N. SHELF-15SSS-N]



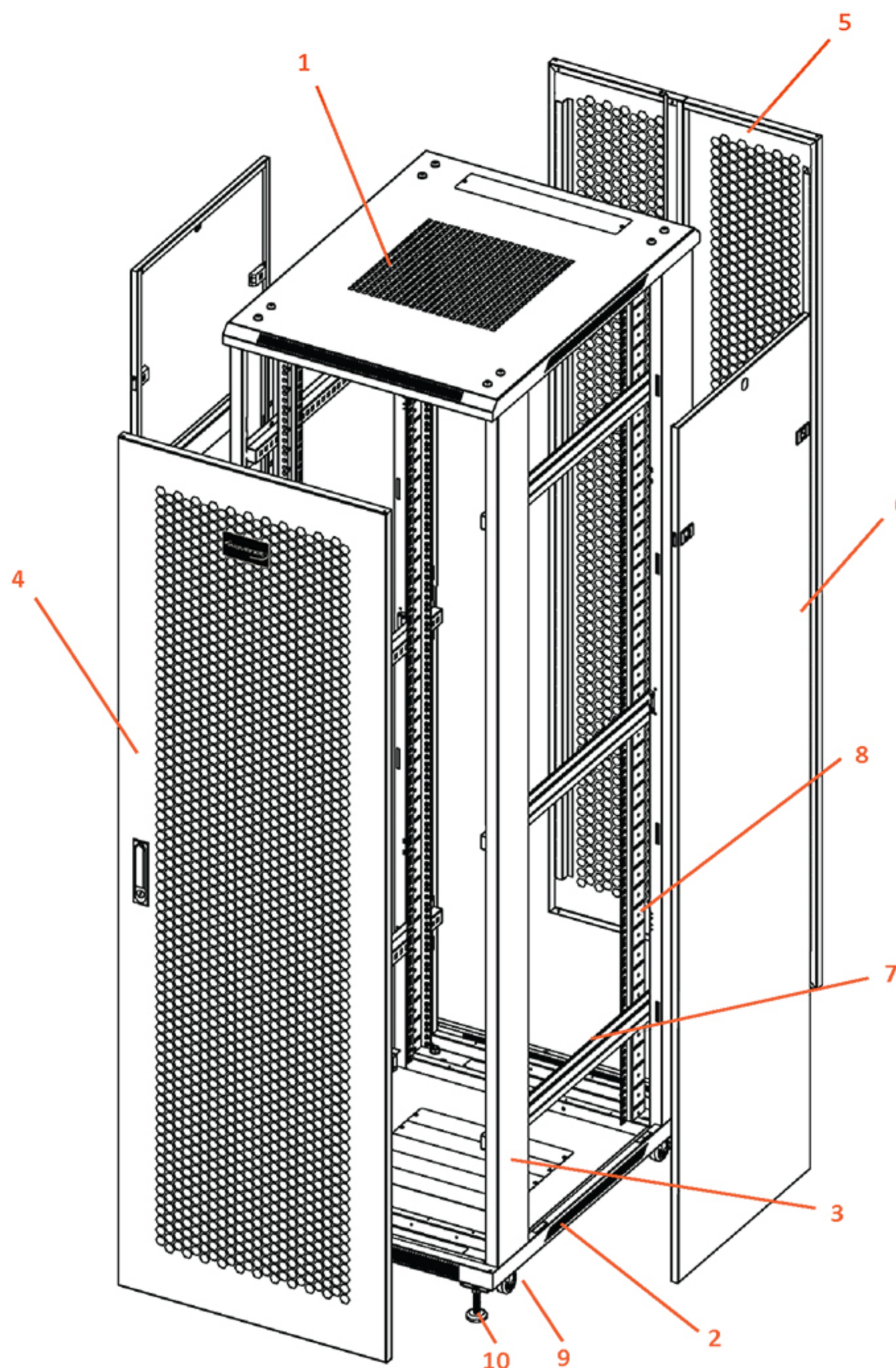
· 2U HORIZONTAL CABLE MANAGER [P/N. MDH-SSW-2U]

· 3U HORIZONTAL CABLE MANAGER [P/N. MDH-SSW-3U]





27U/42U STANDING SERVER CABINETS



PRODUCT DETAILS

Component	Name	Quantity	Component	Name	Quantity
1	Top cover	1	6	Side panel	2
2	Bottom panel	1	7	Horizontal beam	6
3	Door frame	2	8	Vertical rail	4
4	Front door	1	9	Castor (2 with brake)	4
5	Rear door	1	10	Levelling feet	4

Door	Part Number	U size	Width	Height	Depth	Load Capacity	Types of Rails Available
Perforated Steel	CBTF-FL27U-32SW	27U	23.6"	54.4"	31.5"	1700 LBS.	#12-24 STANDARD
Perforated Steel	CBTF-FL42U-32SW	42U	23.6"	80.9"	31.5"	1700 LBS.	#12-24 STANDARD
Perforated Steel	CBTF-FL27U-40SW	27U	23.6"	54.4"	39.4"	1700 LBS.	M6 CAGE NUT
Perforated Steel	CBTF-FL42U-40SW	42U	23.6"	80.9"	39.4"	1700 LBS.	M6 CAGE NUT



6U/9U/12U/15U/18U WALL MOUNT CABINETS



6U



9U



12U



15U



18U



LEFT SIDE VIEW



INSIDE VIEW



LOCK

RELATED PRODUCTS



· 12-OUTLETS POWER DISTRIBUTION UNIT [P/N. PDU1012M-24]

· 8U 18" DEPTH WALL MOUNT RACKS [P/N. WMR-8U-SW]



· 15" RACK SHELF VENDED [P/N. SHELF-15SSV-N]

· 15" RACK SHELF SOLID [P/N. SHELF-15SSS-N]



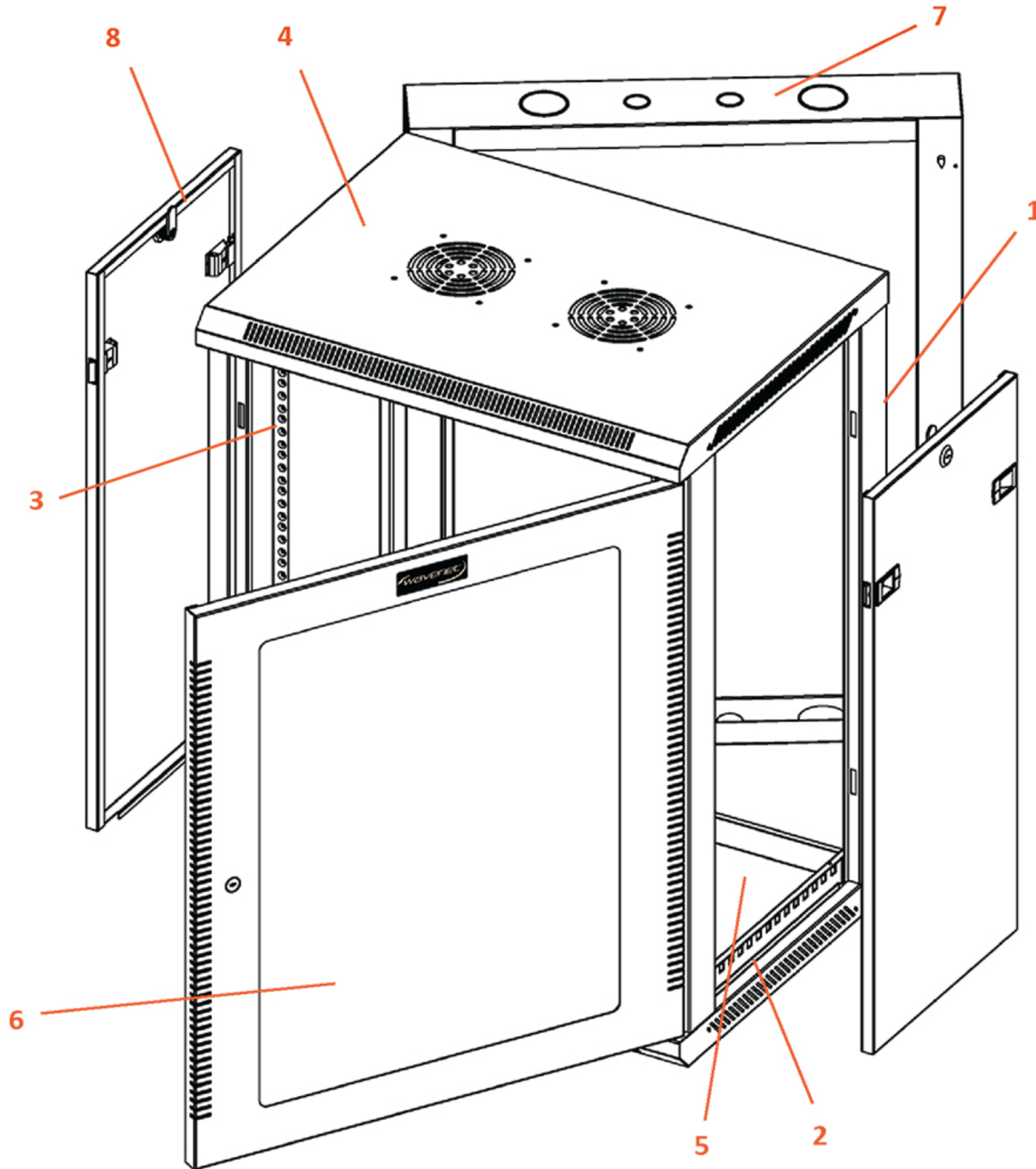
· 2U HORIZONTAL CABLE MANAGER [P/N. MDH-SSW-2U]

· 3U HORIZONTAL CABLE MANAGER [P/N. MDH-SSW-3U]





6U/9U/12U/15U/18U WALL MOUNT CABINETS



RELATED PRODUCTS

Component	Name	Quantity	Component	Name	Quantity
1	Frame	1	6	Front door	1
2	Horizontal bracket	4	7	Rear swing frame	1
3	Vertical rail	2	8	Side panel	2
4	Top cover	1			
5	Bottom panel	1			

Door	Part Number	U size	Width	Height	Depth	Load Capacity	Types of Rails Available
Tempered Glass	CBTF-WM6U-SW	6U	23.6"	14.6"	23.6"	90 LBS.	#12-24 STANDARD (#10-32 SPECIAL ORDER)
Tempered Glass	CBTF-WM9U-SW	9U	23.6"	19.8"	23.6"	90 LBS.	
Tempered Glass	CBTF-WM12U-SW	12U	23.6"	25.2"	23.6"	130 LBS.	
Tempered Glass	CBTF-WM15U-SW	15U	23.6"	30.3"	23.6"	130 LBS.	
Tempered Glass	CBTF-WM18U-SW	18U	23.6"	35.6"	23.6"	1700 LBS.	