



- Furniture and Surface Mounting
- Accepts Standard Jacks, Fiber and AV Connections
- ADA Compliant
- RoHS Compliant

FEATURES

- Low-profile design
- Accepts Hubbell HJ and HXJ jacks and audio/video keystone connectors
- Available in five color options
- ADA compliant
- Ability to mount to multiple surfaces:
 - Standard electrical boxes
 - Hubbell Raceway
 - RE-BOX®
 - CP enclosure
 - Rack rail
 - Desktops, walls, and modular furniture
 - Fiber spooling

SPECIFICATIONS

- Provided with double-sided tape and mounting screws for easy installation
- Constructed with a high impact resistant, flame retardant polymer
- Base includes tie wrap anchors at rear cable entry point for 4" cable ties (included)
- Surface box cover features easy-to-remove knockouts to accommodate Hubbell Raceway

POLYTRAK® Raceway Compatibility Chart

Series	PP	PL	PW	PB
ISB4	▲	▲	▲	▲*
ISB6	▲	▲	▲	▲*

*Use PB3REDA transition fitting.

STANDARDS

- UL and cUL listed
- ANSI/TIA/EIA-606A compliant

HUBBELL iSTATION

Surface Mount Boxes, 4- and 6-Port



ISB4OW (loaded)



ISB6OW (loaded)

Safety
Tamper resistant screw located behind the faceplate label field

Flexibility
Easy cover latches allow for simple moves, adds, and changes

Installation Ease
Bases include tie-wrap anchor points at all cable entrances

Hubbell's Surface Mount Boxes are designed to facilitate today's most demanding workstation outlet needs. Hubbell's ISB4 and ISB6 Series are medium capacity surface boxes that accommodate a wide range of data, audio, video, and fiber connectivity.

The surface mount boxes are ideal for open office, compact surface mount environments, and retrofits to support data, voice, and multimedia applications. All surface mount boxes can be mounted with supplied surface mounting screws or double-sided adhesive tape.

APPLICATIONS

- Open office environments
- Compact surface mount environments
- Retrofits to support data, voice, and multimedia applications





ORDERING INFORMATION

ISB Surface Mount Boxes, 4- and 6-Port

Color	4-Port	6-Port
Almond	ISB4AL	ISB6AL
Black	ISB4BK	ISB6BK
Electric Ivory	ISB4EI	ISB6EI
Gray	ISB4GY	ISB6GY
Office White	ISB4OW	ISB6OW
White	ISB4W	ISB6W



RELATED PRODUCT

HJ and HXJ Jacks
Category 6, 6A and 5e



UOM	Category 5e	Category 6	Category 6A
1 per bag/carton of 25	HXJ5Exx*	HXJ6xx*	HJ6Axx**
25 per bag/carton of 1	HXJ5Exx25	HXJ6xx25	HJ6Axx25**

xx = Color: **AL** (Almond), **BK** (Black), **B** (Blue), **BN** (Brown), **EI** (Electric Ivory), **GL** (Gold), **GY** (Gray), **GN** (Green), **LA** (Light Almond), **OW** (Office White), **OR** (Orange), **P** (Purple), **R** (Red), **TI** (Telco Ivory), **W** (White) and **Y** (Yellow).

Light Almond is the same color as Office White.

*Brown, Gold and Purple available as 25-pack only.

**Not available in Telco Ivory.

Patch Cords
Category 6, 6A and 5e



UOM	Category 5e	Category 6	Category 6A
1 patch cord	HC5E$xx$$yy$	HC6$xx$$yy$	HC6A$xx$$yy$

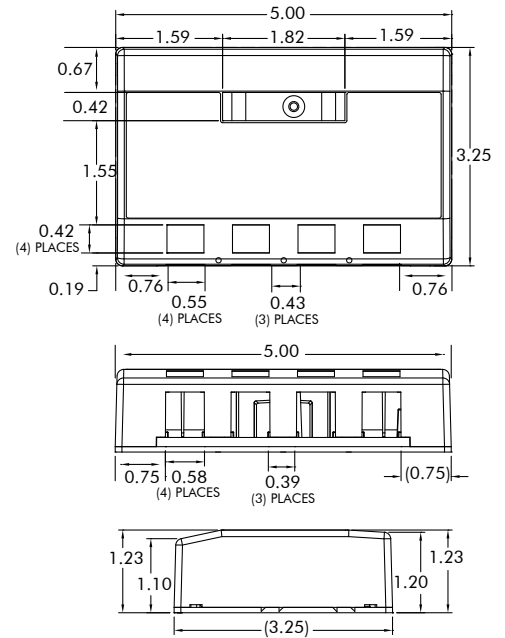
xx = Color: **BK** (Black), **B** (Blue), **GY** (Gray), **GN** (Green), **OR** (Orange), **P** (Purple), **R** (Red), **W** (White) and **Y** (Yellow). See color chart in technical section.

yy = Standard Length: **01** (1'), **03** (3'), **05** (5'), **07** (7'), **10** (10'), **15** (15'), **20** (20').

MTO lengths: **25'**, **30'**, **35'**, **40'**, **45'**, **50'**, **55'**, **60'**, **75'**, **80'**, **85'**, **90'**, **95'**, and **100'**.

DIMENSIONS

4-Port



6-Port

