

# Sound Acoustics

Premium Residential & Commercial Audio/Video Products

SA675H / SA870T

Ceiling Speakers

Owner's Manual

## **Sound Acoustics Ceiling and In-wall Speakers**

Sound Acoustics in-ceiling speakers bring high fidelity music reproduction to a variety of architectural spaces. They mount flush to walls, ceilings, and virtually any flat surfaces. Installation is quick and simple, whether in existing buildings or new construction.

Sound Acoustics flush mount speakers will fit unobtrusively into any space and are ideal for audio-video surround sound use. Manufactured with water-resistant components, these speakers may be installed in high humidity environments such as kitchens, bathrooms, and even boats. Best of all, no matter where you place them, Sound Acoustics in-ceiling and in-wall speakers take up absolutely no shelf or floor space.

Sound Acoustics in-ceiling and in-wall speakers are high performance two-way systems. Their woofers have been specially designed to provide full bass performance without the need for a special enclosure. The dome tweeter with neodymium magnet is of a quality not normally found in built-in speakers. As a result, these speakers' sonic performance belies their small size and inconspicuous appearance. As with all Sound Acoustics high fidelity speakers, frequency response is smooth and accurate and stereo imaging is lifelike.

Some of our ceiling speakers include full frequency transformers for constant voltage background music and paging systems with selectable wattage taps and a transformer bypass.

The clean contoured grilles and trim are finished in matte white. If desired, they can be painted any color to match or complement any interior.

## **Speaker Placement**

Placement of the in-wall or ceiling speakers in your room should be carefully considered. They should be located where they will provide you with the best possible sound. It is beyond the scope of this guide to discuss all of the various aspects of speaker placement. Please feel free to contact your Sound Acoustics dealer for guidance.

## **Wiring**

To achieve maximum performance from your Sound Acoustics speakers, we strongly suggest the use of low inductance, copper stranded speaker cable. For runs over 50 feet 12 or 14 gauge wire must be used, to prevent signal degradation. It is important to consult and observe any local building codes and requirements when installing your speakers and/or running wire through your house.

## **Installation Tips**

1. Avoid routing speaker cables near or parallel to electrical cables. This will help to reduce hum and RF interference.
2. When securing your wire, do not staple or nail it, a short circuit could occur, which would significantly reduce your system's performance, potentially damaging your amplifier/receiver.
3. Allow an additional 2-1/2 feet of free wire at the rough-in bracket or speaker cut-out hole.
4. More than two pairs of these speakers may be connected to one amplifier, however when doing so we

suggest that a Sound Acoustics load center or impedance matching volume control is used, to prevent overloading your receiver/amplifier.

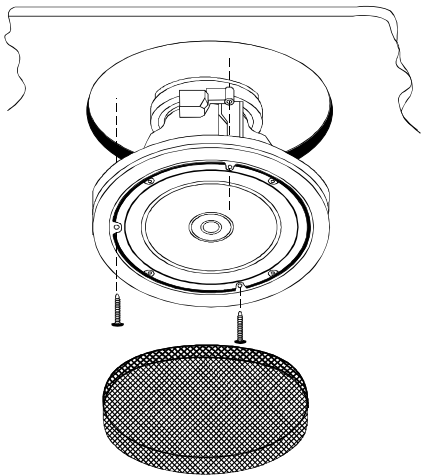
5. When connecting the wire to your speakers, the same wire which is connected to the positive terminal of the amplifier must be connected to the positive terminal of the speakers. It is important to check this on all speakers. If one speaker is connected incorrectly, or is "out of phase", the sound quality will be seriously impaired.

### **Step-by-step Speaker Installation Instructions**

1. The speaker cut-out must be at least 2" from adjoining walls, ceiling, internal studs and pipes.
2. Hold the supplied template in your preferred location and trace around it. This is the exact cutout size.
3. Cut the hole with the appropriate tool for your wall or ceiling material.
4. Follow the speaker connection directions included with your amplifier or receiver. Strip 1/2" of insulation from each of the speaker wires to expose the bare metal and twist each into a single strand. Connect "+" to the RED terminal on both the speaker\* and amplifier, and the "-" to the BLACK terminal on both the speaker and amplifier.

\*When connecting to the 70 volt transformer, connect the "+" wire to the 2.5w, 5w, or 10w wattage tap, or by-pass the transformer by connecting it to the 8 ohm wire.

5. It is possible to paint the speaker grill and frame to match the wall or ceiling before mounting. Remove the foam, found under the grill, after the paint is dry.
6. After insuring that the rotating clamps are flipped inwards, place the speaker into the cutout in the wall or ceiling. Tighten the mounting screws using a power screwdriver or Phillips screwdriver, taking care not to over tighten. This will rotate the clamps, securing the speaker to the wall or ceiling.
7. Install the grill on the speaker.
8. When removing the grill, do not use a knife to pry between the grill and the speaker frame. Instead, insert a pointed metal tool into one of the grille perforations near the edge and lift the grill free.



### **Contact Information**

Sound Acoustics  
1360 Frances Street  
Vancouver BC Canada  
V5L 1Y9  
Telephone: 604-707-0116  
E-mail: [info@mysoundacoustics.com](mailto:info@mysoundacoustics.com)  
Website: [www.mysoundacoustics.com](http://www.mysoundacoustics.com)

### **Warranty Information**

Sound Acoustics speakers are warranted to be free from defects in workmanship and materials for a period of five (5) years without charge for parts or labor. This warranty applies only to the original owner. The owner's responsibilities are to provide proof of purchase and transportation to the dealer the unit was purchased from or transportation to the Sound Acoustics manufacturer. This warranty does not apply to units which have been subject to misuse, abuse, neglect or improper installation, and does not apply to repairs or alterations by unauthorized personnel. This warranty specifically excludes responsibility for consequential damage.

Retention of your dated ORIGINAL BILL OF SALE is required to obtain service under the terms of the warranty.