



### This manual pertains to the following products

- W-TX
- W-RX

### INCLUDED IN BOX:

- (1) W-RX or W-TX
- (1) 5.9V DC Adapter
- (1) Mounting Bracket
- (1) Quick User Guide

### FEATURES:

• **Connection Reliability:** The W-TX and W-RX utilize a sophisticated frequency hopping algorithm at 5.8 GHz and dual antenna diversity for best in class reliability. These devices will never interfere with ZigBee, Z-Wave, Bluetooth, WiFi, or other wireless protocols in the crowded 2.4GHz channel.

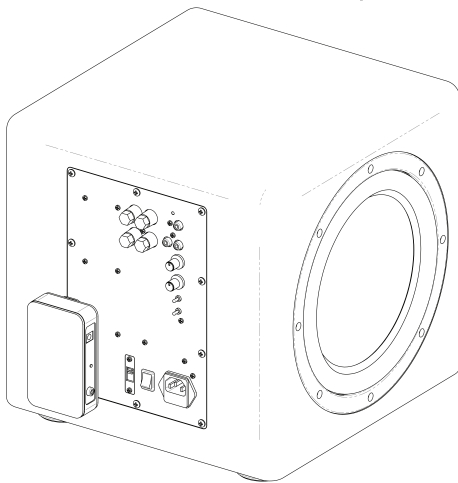
• **Easy One-Time Pairing:** Pairing is as easy as plugging in and pressing a button. Once paired, the devices will stay paired even if the power goes out.

**Versatile Mounting:** The included mounting bracket is designed to mount to the back of a sub, wall, or other surface mount. The versatile hole pattern allows for a wide range of installation scenarios.

• **Pairs with SLIM-PWR44:** The W-RX receiver pairs seamlessly with the built in wireless sub transmitter in the SLIM-PWR44 for even more bass.

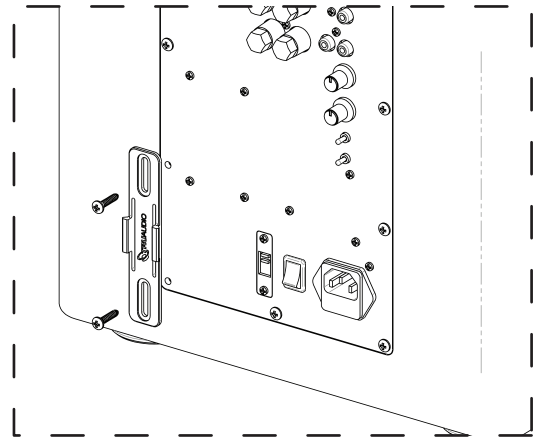
### MOUNTING TO SUBWOOFER:

Each W-TX and W-RX comes with an included bracket for mounting to a sub, flat surface, or other installation scenarios. Follow these steps to install a receiver to the back of a sub.



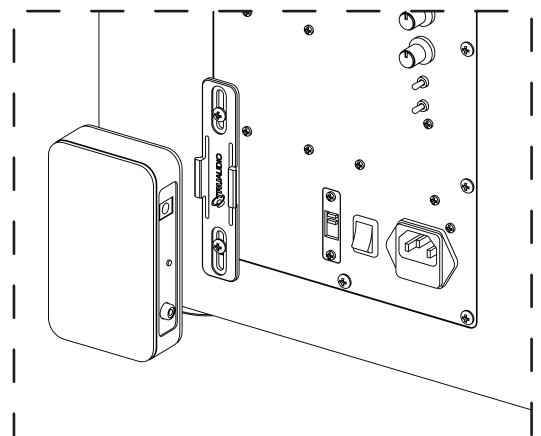
#### Step 1:

Remove two screws that mount the sub amp to the cabinet. Install the bracket by inserting the screws through bracket and back into the original holes. The W-RX bracket has slots that will work with a wide range of hole patterns. We recommend you use two screws in near a corner away from the electrical components. For most TruAudio subs this will be in the lower left corner, your install may vary..



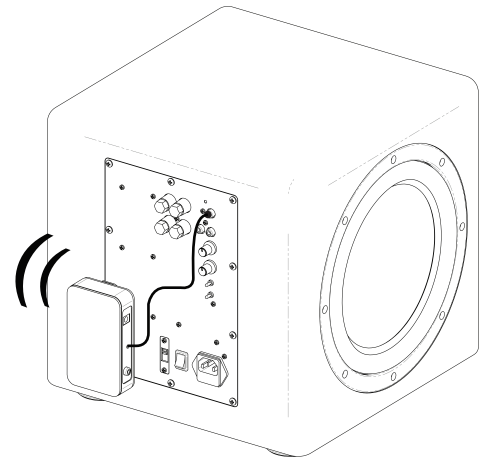
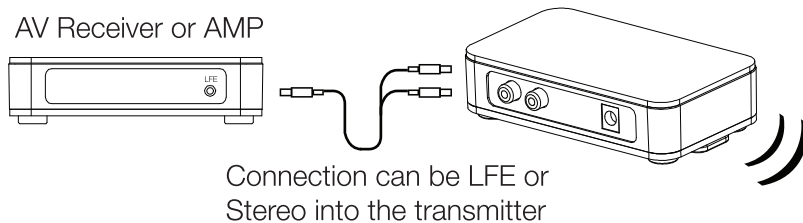
#### Step 2:

Attach the W-RX to the bracket with a firm press. The unit will snap into place. Use an RCA cable and the provided power cable to complete the install.



### CONNECTING:

For best results use high quality, low impedance, shielded RCA connectors. For stereo inputs connect to the RCA Audio In jack. This can be connected to line level outputs on a source device such as a TV or AV receiver. When connecting an LFE or mono source, use the R channel of the Audio In RCA jack. For some subwoofers, you can use a splitter to connect a LFE/mono sub out to both the L and R channels of the RCA input to get more volume. Refer to the diagram below for the system connections.



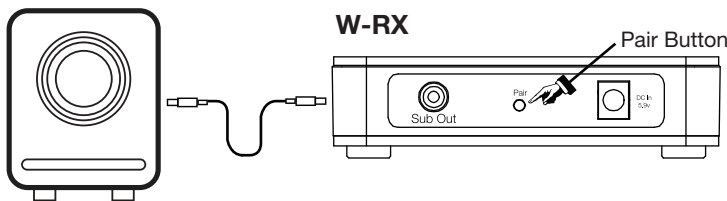
### WIRELESS RANGE:

The range of line of sight for these devices are a 150 feet. Meaning, in an open environment without obstacles in-between, the transmitter and receiver will work at distances of 150 feet. Worst case scenario, indoors you may only see around 50 feet of range. In our real world testing we have found these devices to work solidly at 75 feet. The range of your install will vary based on environment, but you should be able to see a typical range between 50 ft and 75 feet for most indoor applications.

### PAIRING INSTRUCTIONS:

#### For pairing with the W-TX:

1. On the W-RX receiver, connect the “Sub Out” to the subwoofer.
2. On the W-TX transmitter, connect an audio source to the Audio In RCA jack. For LFE/mono signals use the “R” channel of the RCA jack.
3. Apply power to the W-RX receiver (a solid red light will illuminate).



4. Press the “Pair” button on the back of the W-RX. A red light will begin to flash.
5. Within 10 seconds of pressing pair on the W-RX, power on the W-TX transmitter by plugging it into a wall outlet. Note: During the boot up process, the W-TX searches for the W-RX in pair mode and connects automatically.
6. The LED indicator light will flash while not connected. Once the LED stops flashing and turns solid green, then the connection is complete.
7. If the first attempt to connect fails, repeat steps 1-5.
8. If connection fails, refer to the trouble shooting steps of this guide.

#### Pairing with SLIM-PWR44:

1. Connect the W-RX receiver to power, a red light will illuminate.
2. Turn the “Master Power” switch on the back of the SLIM-PWR44 to “ON” (a red light will illuminate on the front of the soundbar.)
3. On the W-RX receiver press the Pair button, a red light will flash (fig. 1)

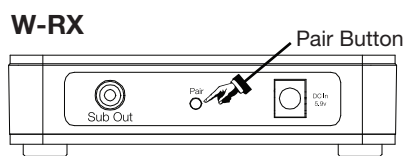


Fig.1

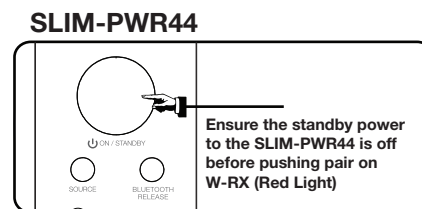
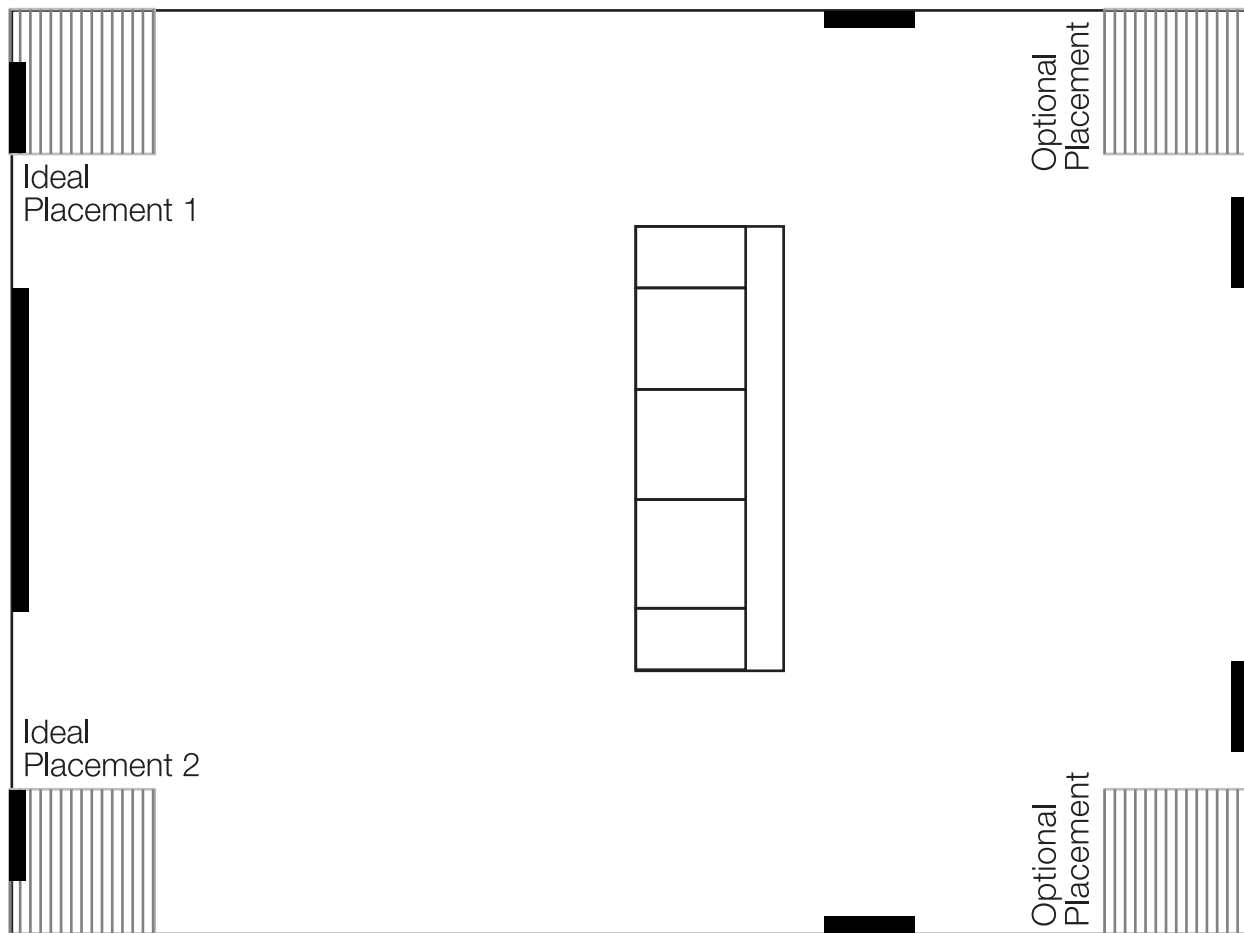


Fig.2

4. Within 10 seconds, press the “on/standby” button on the front of the SLIM-PWR44 (fig. 2). The SLIM-PWR44 searches for the W-RX in pair mode and connects automatically. This may take up to 30 seconds.
5. The LED status indicator on the W-RX will change from blinking red to solid green when connected, and the light on the SLIM-PWR44 will turn blue.
6. If the first attempt to connect fails, repeat steps 1-5.
7. If connection fails, refer to the trouble shooting steps of this guide.

### SUBWOOFER PLACEMENT:

Subwoofer placement can vary greatly depending on the acoustics of a room and the listening positions. As a general guideline the corner of a room will produce the most bass. We recommend choosing the corner closest to the speakers in which the sub will be paired with. For example, if the sub will be paired with the front speakers, place the sub in a front corner. If the sub will be paired with a rear set of speakers, place the sub in a rear corner. Once the wireless kit is installed, it is recommended to listen to the sub in the main listening position to find the ideal placement. Move the sub around about 12" at a time, all the while checking the response in the main listening position. Do this until the desired response is achieved.





### TROUBLESHOOTING:

1. Press the “Pair” button on the W-RX, until a red light starts to flash.
2. With the SLIM-PWR44 on and the blue light on, press the “Wireless Sub Pair” button once (located on the back of the SLIM-PWR44). You have successfully paired when the light on the W-RX turn to green.

In a typical room, the transmitter should be able to transmit to a receiver at a distance up to 50ft. (15m). Walls, furniture, metal racks, or other objects will interfere with the wireless signal transmission path. Shorten the distance between the transmitter and receiver to verify full functionality. If the devices can pair at the shortened distance, then the placement of the receiver is either too far from the transmitter or there are too many objects obstructing the wireless signal path. You can solve this by finding a closer placement for the receiver or one that is less obstructed.

Specifications	
<b>Operating Frequency:</b>	5.8 GHz
<b>Latency:</b>	16 ms
<b>Supply Voltage:</b>	110 - 240V
<b>Typical Range - Line of Sight:</b>	150 ft (50 m)
<b>Typical Indoor Range:</b>	50 ft (15m)
<b>Audio Sampling:</b>	16 bit, 48khz
<b>Audio Freq Range:</b>	18Hz - 22kHz
<b>Dimensions (WxDxH)</b>	4.5" (115mm) W 2.9" (73mm) D 1.1" (29mm) H

SoundVision Technologies dba

### SUBWOOFER and ELECTRONIC PRODUCT WARRANTY

All subwoofers and amplifiers have a limited 5 year warranty. This warranty includes lifetime parts and repair labor on all components. The warranty extends only to the original purchaser of the product and not to any subsequent owner. TRUAUDIO’s obligation under these warranties is limited to repairing or replacing any component found defective in material or workmanship under normal conditions of use with an equal and/or current product. These warranties shall not apply to products which have been abused, modified, or disassembled. Products to be repaired or returned under this warranty must be returned to the factory through an authorized TruAudio dealer with all transportation and insurance charges prepaid.

It is the policy of TRUAUDIO to continuously incorporate improvements into our products. All specifications are subject to change without notice. If you have any questions regarding this or any other TRUAUDIO products, please visit [www.TruAudio.com](http://www.TruAudio.com) or contact us:

Office: 1-888-858-1555, Monday-Friday 7 am - 6 pm MST.  
Fax: 435-251-9815  
Email: [CustomerService@truaudio.com](mailto:CustomerService@truaudio.com)

TruAudio  
198 N Old Highway 91  
Hurricane, UT 84737 USA

