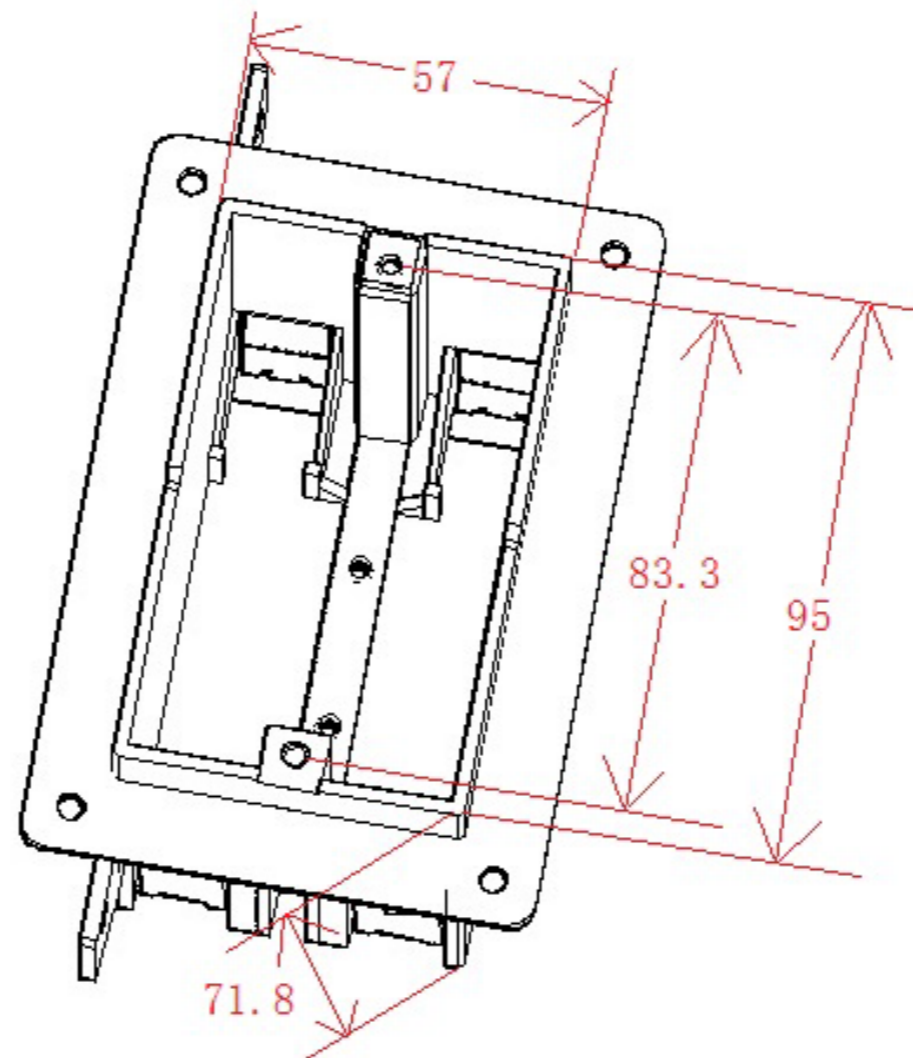


MODEL WPB01

Description

- Vapor proof one Gang non-metallic switch and outlet box
- 18 cubic inches
- 2-7/8" Deep x 3-3/4" High x 2-1/4" Wide
- 50/case
- cETLus certified



Reference	QTY.	Remarks	Project:
			Location:
			Architect:
			Engineer:
			Contractor:
			Submitted by:
			Date:

